



---

# Instructions for the use and care of Z 16/2 R refrigerator/freezer

---



# Installation

## Warning

If you are discarding an old appliance that has a lock or catch on the door, please ensure that this is made unusable to prevent young children getting trapped inside.

## Electricity Supply

The appliance is for operation on a 220/240 v. 50 Hz supply, so be sure that your electricity supply voltage is within the range marked on the nameplate located inside cabinet.

## Earthing

**WARNING: THIS APPLIANCE MUST BE EARTHED.** The manufacturer declines any liability should this safety measure not be observed.

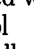
If the plug that is fitted to your appliance is not suitable for your socket outlet, it must be cut off and the appropriate plug fitted. The cut off plug should be disposed of to prevent the hazard of electric shocks in case it should be plugged into a 13 Amp socket in another part of your home.

## Electrical connection

**IMPORTANT:** The wires in this mains lead are coloured in accordance with the following code:

GREEN AND YELLOW - EARTH  
BLUE - NEUTRAL  
BROWN - LIVE

If you fit your own plug, the colours of the wires in the mains lead of your appliance may not correspond with the markings identifying the terminals in your plug, this is what you have to do:

Connect the green and yellow (earth) wire to the terminal in the plug which is marked with the letter "E" or the earth symbol , or coloured green, or green and yellow.

Connect the blue (neutral) wire to the terminal in the plug which is marked with the letter "N" or coloured black.

Connect the brown (live) wire to the terminal which is marked with the letter "L" or coloured red.

The plug moulded on to the cord incorporates a fuse. For replacement use a 13 Amp BS 1362 fuse. Only ASTA approved fuses should be used.

The fuse cover/carrier must be replaced in the event of changing fuse.

The right fuse cover/carrier colour is the one shown by the coloured insert at the base of the plug.

The plug must not be used if the fuse cover/carrier is lost.

A replacement cover/carrier must be obtained from Zanussi Service Agents whose addresses are listed on the attached "Zanussi Service and Spares Nationwide".

**THIS APPLIANCE COMPLIES WITH E.E.C. DIRECTIVE NO. 76/889 OF 4.11.76 RELATIVE TO RADIO INTERFERENCE SUPPRESSION.**

Some models have the main terminal board of the type shown in fig. 1.

To gain access to the terminals of the supply cable, unplug appliance from wall socket and remove the lid from the terminal board by releasing the two catches "A" and "B", with the aid of a small blade screwdriver.

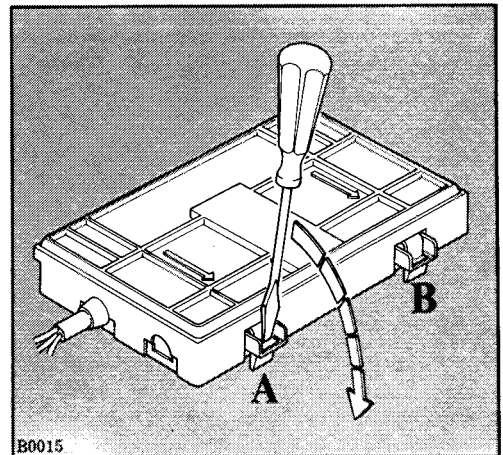


Fig. 1

Some models have the main terminal board of the type shown in fig.1.

To gain access to the terminals of the supply cable, remove the lid from the terminal board by releasing the two catches "A" and "B" Fig.1 with the aid of a small blade screwdriver.

## Positioning

Place the appliance away from direct sunlight and heat sources. Two buffers are fitted at the rear to ensure that air may circulate freely at the back of the cabinet to permit adequate motor and condenser cooling.

Do not obstruct the gap between the top of the cabinet and the wall.

Take care that the appliance is firmly set up and accurately levelled.

If the appliance is fitted with castors, make sure the floor surface is such as to allow the refrigerator freezer to be moved and then reinstalled easily.

## Before using

Remove all securing tapes. Wash inside the appliance with lukewarm water and a little bicarbonate of soda (one teaspoonful to one quart of water).

Do not use soap or detergent as the smell will linger. Dry thoroughly.

# Operation

This up-right freezer **\*\*\*\*** is suitable for long term storage of commercially froze food marked with the symbol **\*\*\*** (i.e. up to 3 months, unless otherwise stated by the manufacturer), and for freezing fresh food.

Do not exceed the storage times shown by the manufacturer on the commercially frozen food packets.

## Starting-up - Temperature adjustment (Fig. 2)

Fig. 2 shows part of the control panel with the controls for starting the appliance and adjusting the temperature. To operate the freezer proceed as follows: Plug the appliance into the wall socket and turn thermostat knob "A" beyond the stop position "0"; the green pilot lamp "A" will light up to show that the appliance is working.

To safely STORE frozen and deep-frozen foods, the inner temperature of the freezer must be at least  $-18^{\circ}\text{C}$  or colder. When you first start the freezer, we suggest you turn the temperature control "A" to setting 5.

With the knob on this setting (STORAGE), the temperature inside the freezer is automatically adjusted by the thermostat to ensure safe storage of the food.

However, if the appliance works in unfavourable room conditions such as poor ventilation, high ambient temperature and frequent door openings, it might be necessary to select a more suitable setting.

Turn knob "A" to the higher numbers to obtain lower temperatures and, conversely, to the lower numbers if a less cold temperature is required.

To set the appliance for quick-freeze operation, turn the thermostat knob to position "S" (SUPER); the yellow pilot-lamp "C" will light up to show that the appliance is on this type of operation.

## Red warning light

The red warning light (D- Fig. 2) indicates (when it lights up) that the temperature in the freezer has climbed to a level where the safe storage of frozen food is no longer ensured. Needless to say, when the appliance is first started or when fresh food to be frozen is first placed in the freezer, this warning light will stay on until the temperature has dropped to a safe level for the storage of the foodstuffs.

## Freezing of food

To fast-freeze fresh food, when the appliance has not been working previously, it is necessary to switch on the freezer and to let it run on the fast-freeze setting (controls on position "S") for at least 3 hours prior to putting in any food.

If however, the appliance has already been running for some time with frozen food inside, set the temperature control on the fast-freeze position «S» at least 24 hours before putting into the freezer fresh food to be frozen.

After the fresh food is placed in the freezer, the freezing process can be regarded as completed after further 24 hours have elapsed from its beginning; you may then return the freezer to the normal «storage» operation.

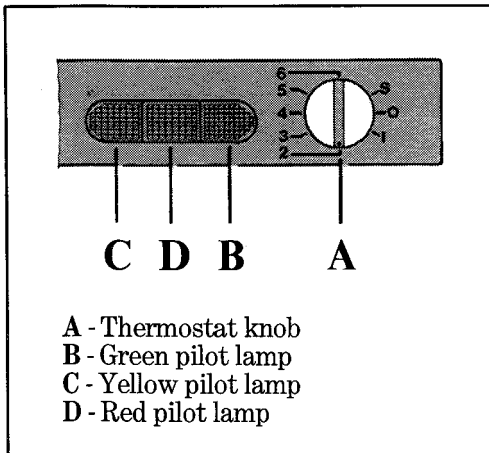


Fig. 2

To help you make the most of the freezing process, here are some important hints:

Only freeze top quality, fresh and thoroughly cleaned foodstuffs.

Prepare the fresh food in small portions to permit rapid and complete freezing of the same and to make it possible to thaw only the quantity required.

Remember that once thawed frozen food deteriorates rapidly, even if it is refrozen again.

Also remember that lean foodstuffs store better and longer than fat foodstuffs and that salt reduces the storage periods.

Wrap up the food in aluminium foil or polythene and make sure that the packages are airtight. This will preserve the colour, taste, and nutritional values of the food.

Do not freeze fresh foods in a quantity greater than 11 Kg in 24 hours.

During the freezing-in operation, do not add fresh food to be frozen and do not open the freezer door.

In this appliance the quick-freeze compartment is located in the upper part of the freezer.

Avoid placing fresh food to be frozen directly in touch with already frozen food, thus avoiding a rise in temperature of the latter.

Do not put in the freezer carbonated liquids (fizzy drinks, etc.) as they could burst. Never introduce warm liquids or foodstuffs and do not fill covered containers to the brim.

It is advisable to show on the single food packet or on the write-on produce strips to be found on the front part of the storage baskets (in the models incorporating this feature) the freezing-in date to enable you to keep tab of the storage time.

If the frozen food is accidentally thawed, such as in the case of a prolonged power failure, the food will have to be consumed within a very short time.

If the power failure is of short duration and the freezer is fairly loaded, the frozen food will not be affected.

## **Storage of frozen food**

- Gross storage volume 125 litres
- Net storage volume 110 litres

If the appliance has not worked previously or after a period of inaction, it must be left to run for at least two hours with the fast-freeze switch on position "S", prior to introducing frozen food.

Conversely, if the freezer is already running, this precaution will not be necessary.

In the first case, after the freezer has been working for at least 2 hours on position "S" and after introducing the frozen food, return the freezer to the normal storage position.

To obtain the best performance from this appliance, we strongly recommend that you make sure that the commercially frozen foodstuffs were adequately stored by the retailer and, furthermore, be sure that these frozen foodstuffs are transferred from the foodstore to the consumer in the shortest possible time (a temperature increase of the frozen food could shorten its storage period).

It is also advisable not to exceed the storage period indicated by the producer of the food.

Finally, do not open the door frequently or leave it open longer than is absolutely necessary.

## **Attention**

Do not put carbonated liquids (fizzy drinks, etc.) in the freezer.

Water ices, if consumed immediately after removal from the freezer, can possibly result in a low-temperature skin burn condition.

If there is a power failure during the storage of frozen food, do not open the door during the whole time of the failure. If the freezer is fully loaded, the frozen food will not be affected if the power cut is of short duration; otherwise, it is recommended to consume the food within a very short time.

## **Thawing**

Deep-frozen or frozen food, prior to being used, can be thawed in the refrigerator compartment or at room temperature, depending on the time available for this operation.

Small pieces may even be cooked still frozen, directly from the freezer: in this case, cooking will take longer.

## **Defrosting the freezer**

The inner walls of the freezer become gradually covered with a layer of frost which should be removed by means of the special plastic scraper supplied with the appliance (housed in the inner side of the fast-freezing compartment door), whenever it builds up to a thickness exceeding 1/4".

During this operation it is not necessary to cut off the power or to remove the food stored in the freezer.

When, on the other hand, a thick layer of ice has formed on the inner walls of the freezer, it is necessary to completely defrost the freezer due to the fact that this layer of ice acts as a thermic insulation which prevents the transmission of cold to the frozen food contained in the freezer.

We suggest you do this defrosting only after all frozen food contained in the freezer has been used up.

To completely defrost the freezer proceed as follows: remove any food stored in the freezer and wrap it in a piece of cloth or in several layers of newspaper and put it in a cool place.

Turn the thermostat knob to position "0" or remove the plug from the wall socket; slide out from the front bottom part of the appliance the extension gutter and place underneath a basin to collect the defrost water (Fig. 3).

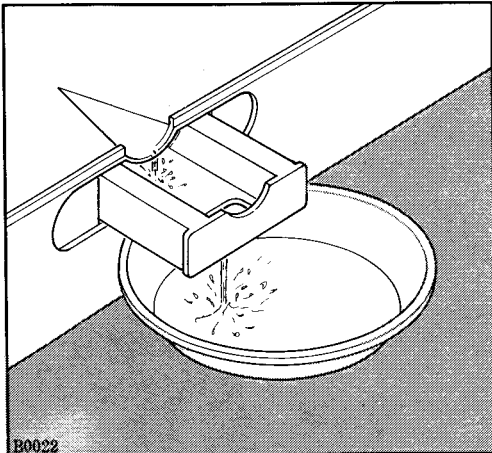
When defrosting is completed, dry the freezer thoroughly, close the door and start the appliance by turning the thermostat knob to position "S" and let it run on this setting for at least 3 hours, after which you can replace the food into the freezer and return the same to NORMAL STORAGE POSITION.

## Attention

A temperature increase of the frozen food packs during defrosting may shorten the storage life of the same.

## Caution

Never use sharp metal tools to scrape off frost from the evaporator as you could thereby damage it beyond repair.



B0022

Fig. 3

# Using the refrigerator

The upper compartment of this appliance is suitable for cooling drinks and for normal food storing.

## Operation

To operate the refrigerator, turn the thermostat to the required setting: a medium setting is generally the most suitable.

However, a higher setting (more cold) may be required if the refrigerator is affected by abnormal operating conditions such as high ambient temperature, frequent door opening, quantity of food stored and the location of the appliance.

The inner temperature is automatically adjusted by the thermostat, but it can be increased (warmer) by turning the thermostat knob towards the lower numbers on the scale or decreased (colder) by turning the thermostat knob towards the higher numbers.

To stop the appliance turn the thermostat knob on setting "0".

To obtain the best results from the refrigerator neither hot food nor liquids, which may evaporate, should be placed inside the refrigerator.

Cover all food, particularly food with strong aroma.

Do not pack shelves too tightly or cover shelves with paper, so as not to obstruct the free circulation of air.

Place meat to be stored in a special hermetically-sealed box, which should be put on the lower shelf of the compartment; in this way, meat can only be stored safely for one or two days at the most.

Cooked food, cold cuts, jelly etc. should be well covered and can be stored on any of the shelves.

Fruit & vegetables should be thoroughly cleaned and placed in the special drawers.

Butter & cheese should be placed in special airtight containers or wrapped in aluminium foil or polythene bags to exclude as much air as possible.

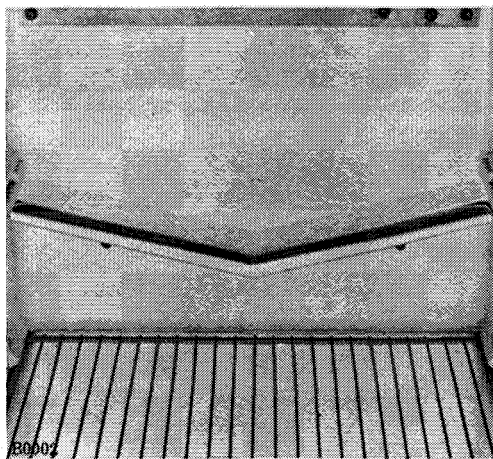


Fig. 4



Milk bottles should have a cap and should be stored in the bottle rack on the door. The inner walls of the refrigerator compartment incorporate a number of self-carrying runners which allow the shelves to be placed at various levels.

## Drink-chiller

(For models incorporating a drinks dispenser)

The container for cooling drinks, which is located on the inner door or depending on the model of appliance on the ceiling of the fridge compartment, can easily be removed from its runners for filling.

To pour out a drink, press the glass upwards, against the tap arms.

Upon removing the glass, the tap turns itself off.

To clean the container, we recommend that you rinse it several times with hot water after letting the water cool down inside the container itself.

It also helps, for a thorough cleaning of the container, to add a spoonful of baking soda to the rinsing water. Turn the dispenser tap on and off a number of times to allow sugar deposits from soft drinks or sweet wines to dissolve.

Empty the container and rinse with clean water.

It is important when storing fresh fruit juices in the drinks dispenser that particular attention be paid to the manufacturer's storage instructions.

It is also advisable to clean the dispenser thoroughly between every filling of the type of product by using a solution of Milton's Sterilizing Fluid or a similar product.

## Defrosting the refrigerator

Frost is automatically eliminated from the evaporator of the refrigerator compartment every time the compressor stops.

Defrost water drains out through a trough into a special container on the back of the appliance where it evaporates.

**Important:** The defrost water drain opening (Fig. 4), located at the center of the special conveyor of the refrigerator compartment, should be cleaned at regular intervals in order to prevent the defrost water from overflowing and dripping onto the food stored in this compartment.

# Maintenance

Prior to undertaking any maintenance operation, be sure to unplug the appliance from the wall socket as a safety precaution.

Clean out the interior periodically with lukewarm water and bicarbonate of soda, the cabinet exterior with a Silicone wax spray, the condenser and the motor compressor with a brush or a vacuum cleaner.

Clean the drain hole of the defrost water through at regular intervals and make sure that this drain hole is never obstructed, so that the defrost water may flow out freely.

During periods when the appliance is not in use, take the following precautions:

unplug the freezer from the power supply;  
remove all foodstuffs from the refrigerator and the freezer;  
clean the interior and all accessories;  
leave the doors ajar to facilitate the circulation of air in the interior of the cabinet so as to prevent unpleasant odours from lingering in the appliance.

# Servicing

Should service be required for this appliance, contact your local Service Agent but before requesting service the following simple checks may save you inconvenience and expense:

If there are water drops on the bottom of the fridge compartment, check that the defrost water drain opening is not obstructed.

Check that the plug is firmly in the wall socket;

Check that there is an electricity supply to the socket by plugging in another appliance;

Turn the thermostat knobs to maximum cold position;

If your appliance is still not working properly after making the above checks, contact your Service Agent.

# Door reversal directions

(Fig. 5)

Before carrying out the operations described below, pull out the mains plug from the wall socket.  
To carry out this reversal go through the following steps:

- a) Remove bottom hinge 1;
- b) Remove lower door;
- c) Unscrew pin 2 from the hinge and refit it on the opposite side;
- d) Unscrew pin 3 and slide out the upper door;
- e) Unscrew pin 4 and refit it on the opposite side;
- f) Refit the upper door and pin 3 placing it on the opposite side;
- g) Unscrew foot 5 and refit it on the opposite side;
- h) Refit the door and the bottom hinge (into the holes already provided)
- i) Remove handles 6-7 and refit them on the opposite side.

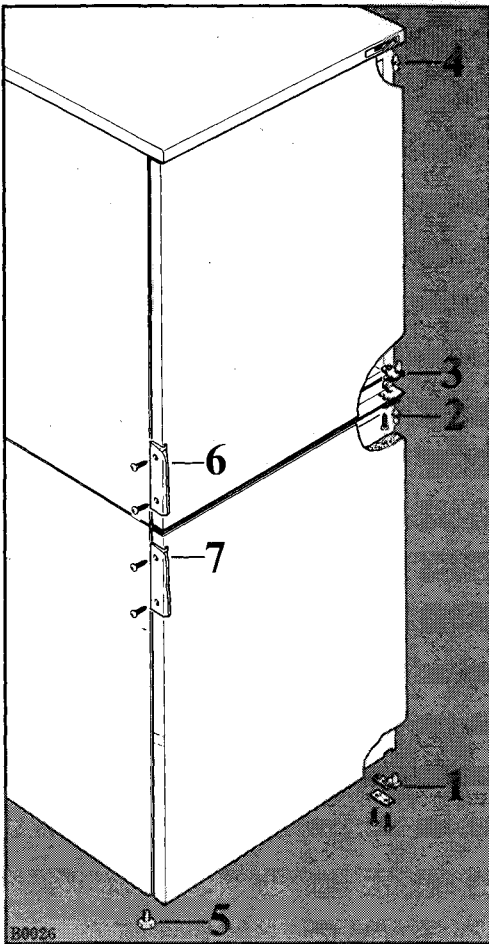


Fig. 5

## Fast-freezing compartment door

(Fig. 6)

Whenever door reversal has been carried out, the fast-freezing compartment door should also be reversed to allow best access conditions.

For this purpose proceed as follows:

- a) By means of a cross-head (Phillips) screwdriver remove door catch support "A";
- b) Remove the two hinges "B" and the relevant door;
- c) Refit door catch support "A" upside-down on the opposite side of the inner liner;
- d) Fit the door and its hinges "B" on the opposite side (taking care to turn them upside-down).

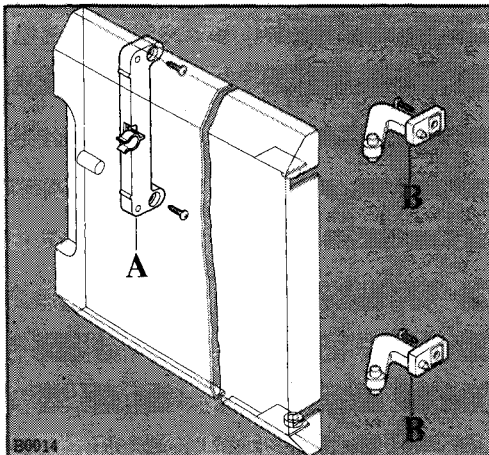


Fig. 6

---

## ZANUSSI GUARANTEE CONDITIONS

This guarantee is in addition to your statutory and other legal rights which will not be excluded or in any way diminished by the return of the enclosed card.

We, IAZ International (UK) Ltd, guarantee that if within twelve months of the date of the purchase, this ZANUSSI appliance or any part thereof is proved to be defective by reason only of faulty workmanship or materials we will at our option repair or replace the same **FREE OF ANY CHARGE** for labour, materials or carriage on condition that:

- The appliance has been correctly installed and used only on the electricity supply stated on rating plate.
- The appliance has been used for normal domestic purposes and in accordance with the manufacturer's operating and maintenance instructions.
- The appliance has not been serviced, maintained, repaired, taken apart or tampered with by any person not authorised by us.

- The appliance is still in the possession of the original purchaser.
- Any appliance or defective part replaced shall become our property.

This guarantee does not cover any damage caused during transportation or the replacement of any light bulbs or removable parts of glass or plastic.

Should you require service on your Zanussi appliance consult the enclosed list for your nearest Zanussi network centre. If the product is under first year guarantee then you will be required to produce proof of date of purchase to the engineer. If it is under 5 year cover then you must show your cover card to the engineer.

Please ensure that the enclosed pre-addressed card is stamped, completed in full and forwarded to IAZ International (UK) Ltd, to enable the guarantee to be recorded. Also complete the space below as your own record of the guarantee.

---

## GUARANTEE RECORD

Appliance purchased from \_\_\_\_\_ on \_\_\_\_\_  
Guarantee card no \_\_\_\_\_ Model no \_\_\_\_\_  
Serial no \_\_\_\_\_ (These details may be taken from your Guarantee Record Card)  
Your name \_\_\_\_\_  
Address \_\_\_\_\_  
\_\_\_\_\_  
\_\_\_\_\_